



LOC - Alarm Key Specification

V1.3



Product Description

Description: LOC - Alarm Key Specification

Factory address

Name: Scemtec Automation GmbH
Street: Auf'm Angst 3
Postcode City: 42553 Velbert
Telephone: 02053 / 4936 - 0
Fax: 02053 / 4936 - 49
E-Mail: info@scemtecautomation.de
info@locatesolution.de
Internet address: www.scemtecautomation.de
www.locatesolution.de

Support

Address see above

Document Details

Manual nr.: V1.3
Creation date: 20.06.2007/RC

1.0 TOC - Table of content

1.0 TOC - Table of content.....	3
2.0 Description	4
2.1 Safety instructions.....	4
2.2 LOC - Alarm Key	5
2.2.1 Item number	6
3.0 Specification LOC - Alarm Key	7
4.0 Dimension	8

2.0 Description

2.1 Safety instructions

This instruction contains useful information for the assembly, operation and administration of the LOC-Alarm Key.

Please read this instruction mindful before you start with the assembly and the operations.

Owner and User have to allude to follow this information. There is no guarantee at non-observance of this instruction for the LOC System. The assembly and the operation have to execute only by skilled personnel.

The LOC-Alarm Key is designed and built under observance of safety-related rules. The Safety is dependent on the correct installation! The installation of the electronic components and have to execute with much accuracy, spoiled components creates a breakdown on the whole system. Affirm you that every component is undamaged. Damaged components may not used.

At property damage, consequential damage or personal injury, which is based on non-observance of these instruction or faulty use, expires the guarantee.

The components have to protect against clamminess. The LOC-Alarm Key is not able for Areas with high humidity or chemical matters.

All pictures-, product-, dimension- and execution data of this instruction is at the day of publication up-to-date of the development. This product subjects a permanent update process. In the acceptance of your contentment, we reserved the changed of our product.

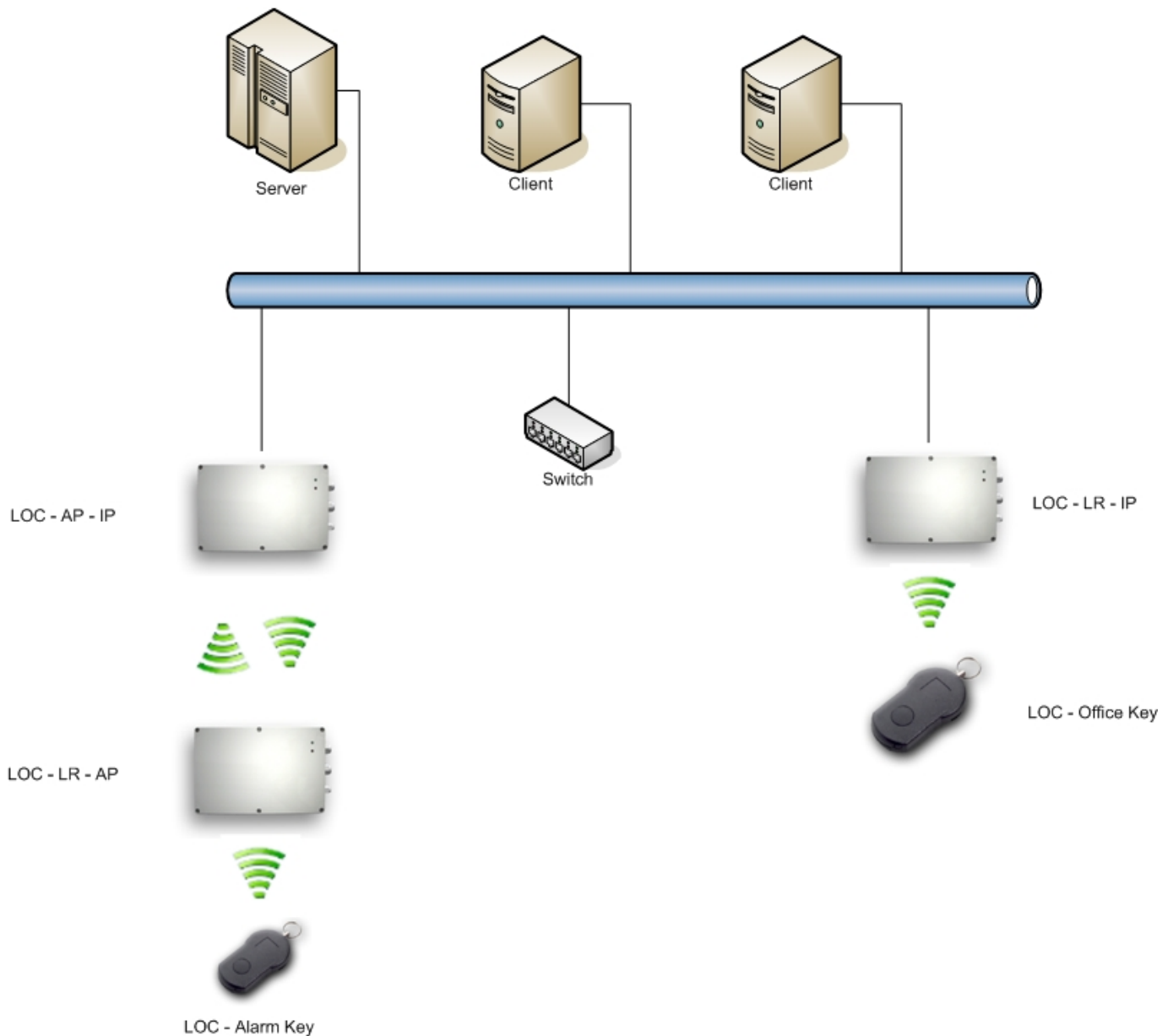
At frictions or queries, please contact us.

2.2 LOC - Alarm Key

The LOC-Alarm Key is the identification in the LOC Pro system. He communicates with the Reader and exchanges data. These data exchange is at uplink over 125kHz and at downlink over 868 MHz. The Reader checks the ID from the LOC-Alarm Key which is nonrecurring and the separate rights from the server if the Reader is set as a Doorterminal. If the Reader is set as a LOC - LR - AP the server gets only the data which Key arrives at which Reader (Tracking). A 3V Lithium battery provides the LOC-Alarm Key and he owns a backup function that the Reader can read the transponder over the passive way with the same identification if the battery is flat.

The difference between the LOC-Alarm Key and the LOC-Office Key is that the LOC-Alarm Key includes a alarm function, which ensures that the event is received within 10 tries. If the button at the case is pushed, the alarm function is executed and the key sends this event definitely within 10 tries to other elements of the LOC System, which handle this event.

To add the LOC-Alarm Key in the LOC-Managementsoftware system, please look at the instruction for the LOC-Managementsoftware.



2.2.1 Item number

The item number is needed for the ordering process. The product can be configured in different variations for customer requirements. The item numbers are consisting of the configurations.

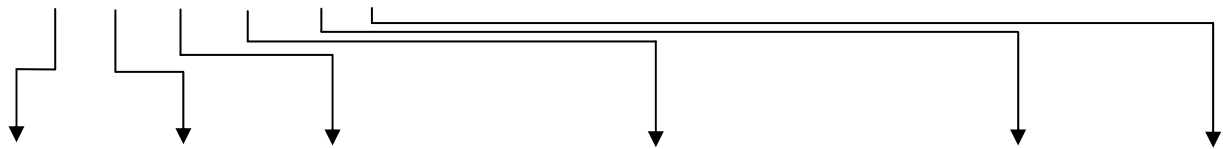
Please observe:

The Field with the default value "xxx", is according to the Firmware number. Please fill into this Field "xxx", if you ordering new items. You have to fill your available number inside the Firmware field, if you are reordering some items. You have to inscribe for example the Firmware "2.25", the number "225".

Item number

104	xxx	Frequency (1 Choice)	Case (1 Choice)	01	00
		<input type="checkbox"/> 01 - 868MHz <input type="checkbox"/> 02 - 916MHz	<input type="checkbox"/> 06 - Office Key case with button <input type="checkbox"/> 17 - Bracelet with button (water-proof)		

Example: 104 . 204 . 01 . 17 . 01 . 00



104	xxx	Frequency (1 Choice)	Case (1 Choice)	01	00
		<input checked="" type="checkbox"/> 01 - 868MHz <input type="checkbox"/> 02 - 916MHz	<input type="checkbox"/> 06 - Office Key case with button <input checked="" type="checkbox"/> 17 - Bracelet with button (water-proof)		

This configuration would be a LOC-Alarm Key in the Version 2.04. The data would receive over an 868MHz connection and the device is at a bracelet with a water-proof case. A CR2032 3V Lithium battery supplies the device and the data would send over a HF (868MHz) connection.

The following tables are showing the configuration with the accordant item number.

LOC-Alarm Key 868MHz:

Case	Battery	Item number
Office Key case with button	CR2032	104.204.01.06.01.00
Bracelet with water-proof case	CR2032	104.204.01.17.01.00

LOC-Alarm Key 916MHz:

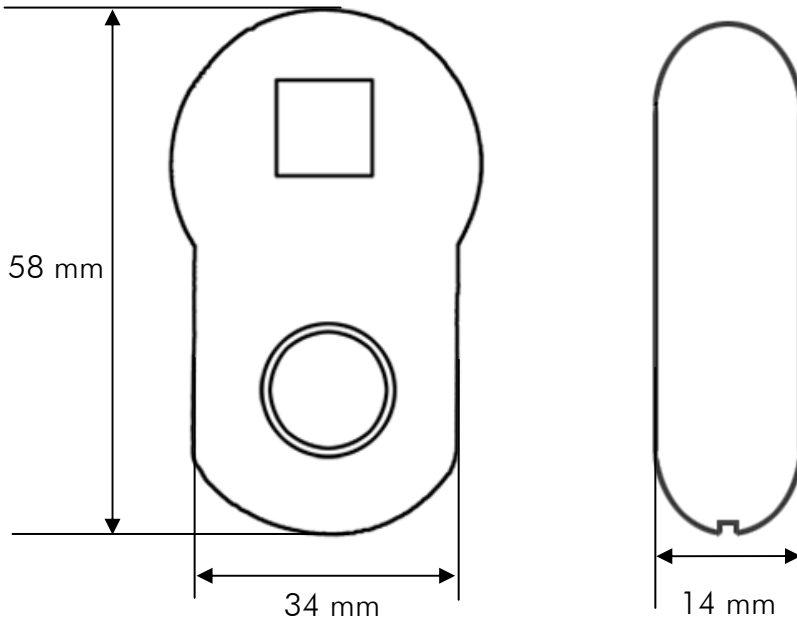
Case	Battery	Item number
Office Key case with button	CR2032	104.204.02.06.01.00
Bracelet with water-proof case	CR2032	104.204.02.17.01.00

3.0 Specification LOC - Alarm Key

Power Supply	3V Lithium Batterie, CR2032
Data receive (Uplink)	125 KHz, 3D receive
Data send (Downlink)	868 MHz ASK
Temperature area	-20°C ... +70°C
passive Transponder	TagLite 4079

Subject to alteration.

4.0 Dimension



Dimension: 34 x 58 x 14 (WxHxD)